

**STAINLESS STEEL 316L  
PRESS FIT FITTINGS  
(M PROFILE)**

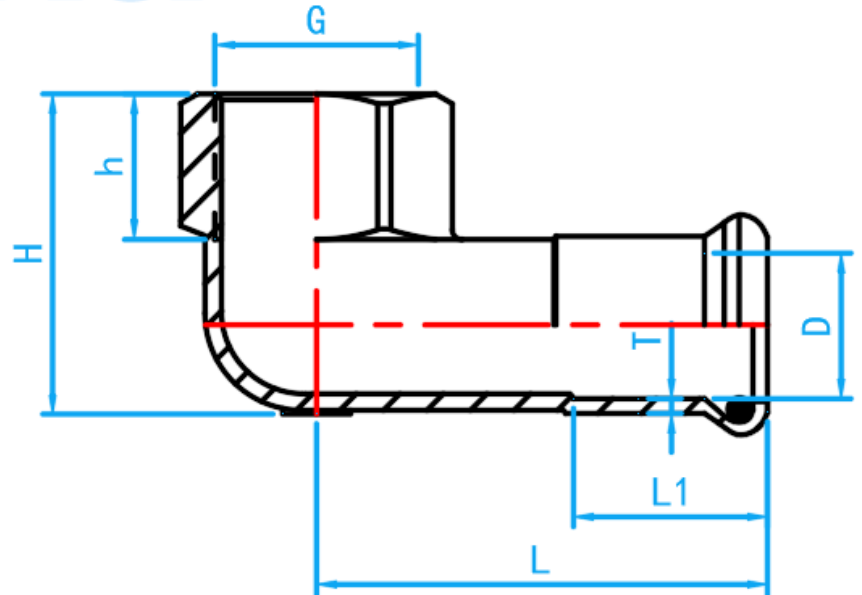
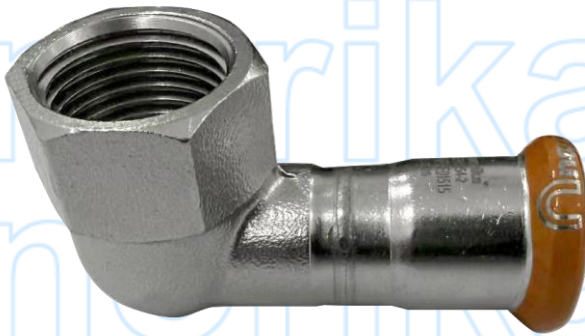
COMPLY WITH BSEN1254-2: 1998



A Product of the nPressGuard<sup>®</sup> Solution



**[FIXPF] SHORT ELBOW**



SIDE VIEW

STANDARD SPECIFICATION

Working Pressure	16 Bar
Working Temperature	0 ~ 85°C
Applications	Hot and cold potable water system.

DIMENSIONS

SKU	SIZE ID × G (mm x inch)	D (mm)	G (mm)	L (mm)	L1 (mm)	H (mm)	h (mm)	T (mm)	WEIGHT (kg)	PCS/CTN
SS316IPFNFISE01515	15 × 1/2" BSP	15	1/2"	46.5	20	33	15.5	1.5	0.071	150
SS316IPFNFISE02020	22 × 3/4" BSP	22	3/4"	53.0	21	41	16.0	1.5	0.110	100

\*This item requires special ordering. Please consult with a salesperson for the estimated lead time.